

XIZI2504



 Service Line / 400-826-1112

XIZI ELEVATOR CO.,LTD.  
Add/NO.2329 Science and Technology Ave.,  
Lin'an Economic Development Zone, Hangzhou, China  
[Http://www.xizielevator.com/](http://www.xizielevator.com/)

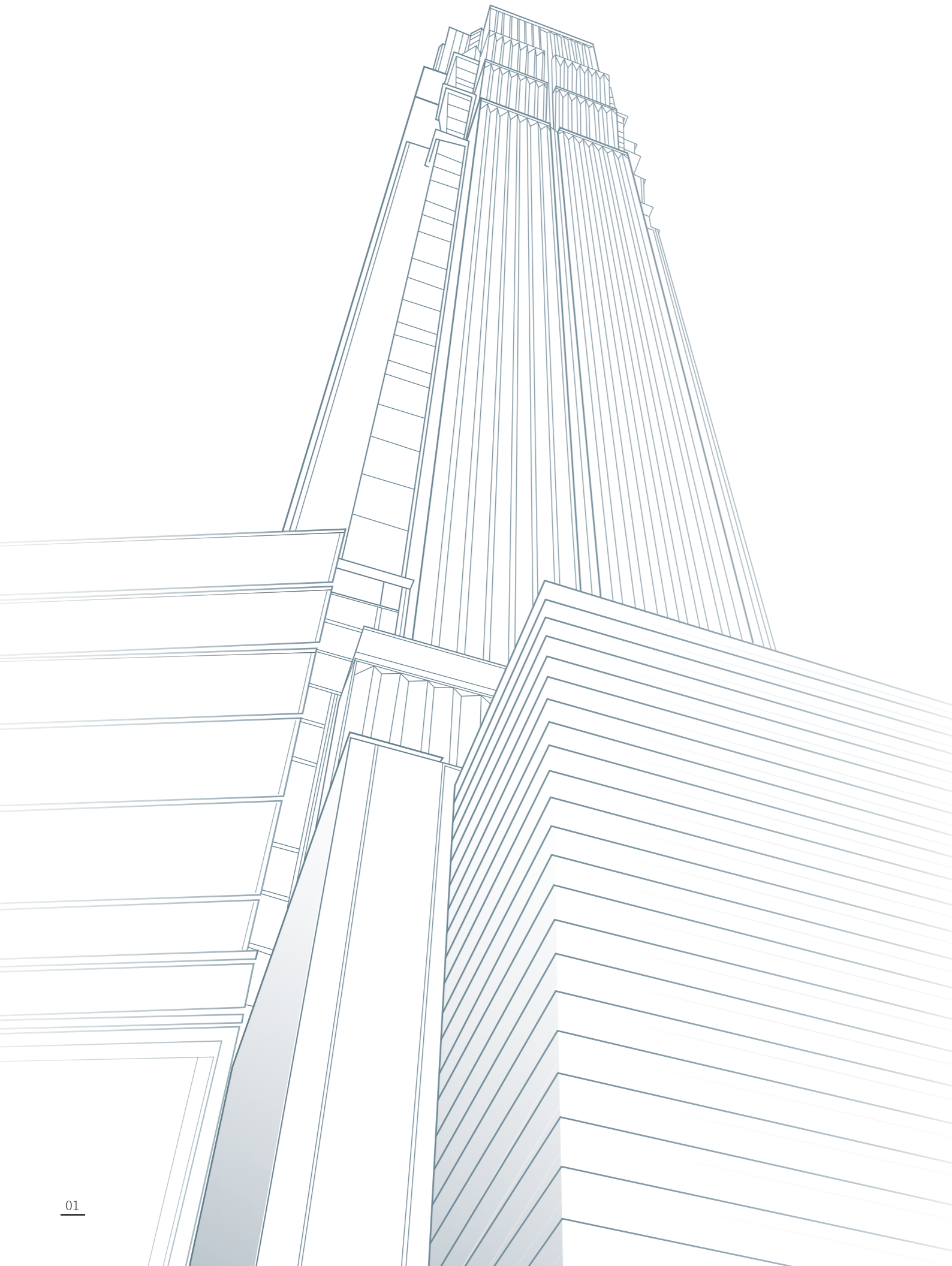
This book is a general information print (Edition: First Edition, April 2025). We reserve the right to make changes to the product technology and specifications at any time.  
The content of the sample is for reference only, and the actual product shall be subject to the contractual agreement between the parties and the actual product.

XIZI ELEVATOR

# Escalator Moving Walk

Passenger Elevator Create Infinite Possibility For Building Traffic

**XIZI**



[Pioneer of national brand]

# Over 40 years of history

## ABOUT XIZI ELEVATOR

XIZI Elevator Co., Ltd. is a comprehensive elevator manufacturing enterprise integrating research and development, manufacturing, sales, installation, and after-sales service. Inheriting over four decades of experience of the **XIZI 西子**® brand, the company boasts strong research and development capabilities and a comprehensive product system. It constantly insists on independent innovation, continuously deepens its domestic market, expands overseas markets, actively creates and develops a global marketing and service network system, and is committed to providing more professional technology, products, and services to customers.



# ESCALATOR MOVING WALKS

Escalators and moving walks are new generation products designed and manufactured from XIZI, it combined the advantages of safety, innovation, energy saving, high efficiency and comfort.

Escalators and moving walks can meet the requirement of commercial and public transportation, to provide a safe and reliable transportation services, at the same time, the beauty of its appearance raises splendour of the building.

## SAFETY

Advanced microcomputer control system with perfect safety protection devices, with bilateral direction track system and up to 36 security protection standards, Give you a safe elevator travelling experience.

## COMFORT

Fluctuation of curvature radius according to the human body mechanics design, and development of noise reduction device, gives you a comfortable elevator travelling experience, meanwhile, beautiful appearance and decoration materials are good additions to the building.

## RELIABLE

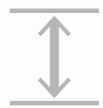
Design life time of main components to 70000 hours, the strict design verification and testing certification, ensure the reliability of the operation

# COMFORTABLE ENJOYMENT

## UN-ES008

XIZI escalator is based on national standard GB16899-2011 and international standard EN115-1 fully applied escalator industry advanced technology design and manufacturing. Adopts advanced microcomputer control system, high strength of truss structure, perfect protection, makes safe, reliable and comfortable product. XIZI escalators always put forth new ideas to satisfy the requirement of market, modern industry, hospital, hotel, CBD, services and large shopping center.

### ► Specifications



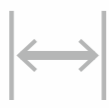
Rise(mm)  
≤8000  
≤6000



Angle of inclination  
30°  
35°



Rated speed (m/s)  
0.5



Step width(mm)  
1000/800/600

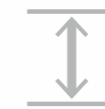


# PUBLIC TRANSPORT ESCALATOR

## XEP

Public transport escalator embodies the XIZI LIFT products with the latest technology, with its efficient and reliable transport become an integral part of urban transportation. which can meet the requirements of subway, high-speed rail, light rail, the railway station, airport, the scenic area, bridge and underway.

### ► Specifications



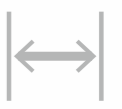
Rise(mm)  
≤45000



Angle of inclination  
30°/27.3°



Rated speed(m/s)  
0.65/0.5



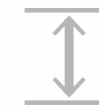
Step width(mm)  
1000/800

# MOVING WALKS

## UN-ET008

XIZI moving walks is aimed at for large traffic and long working time, goods, luggage and long-distance transport, with its excellent design to achieve transportation like moving on ground, which can meet the requirements of supermarket, shopping mall, airport, scenic area, high-end clubs etc.

### ► Specifications



span(mm)  
≤50000



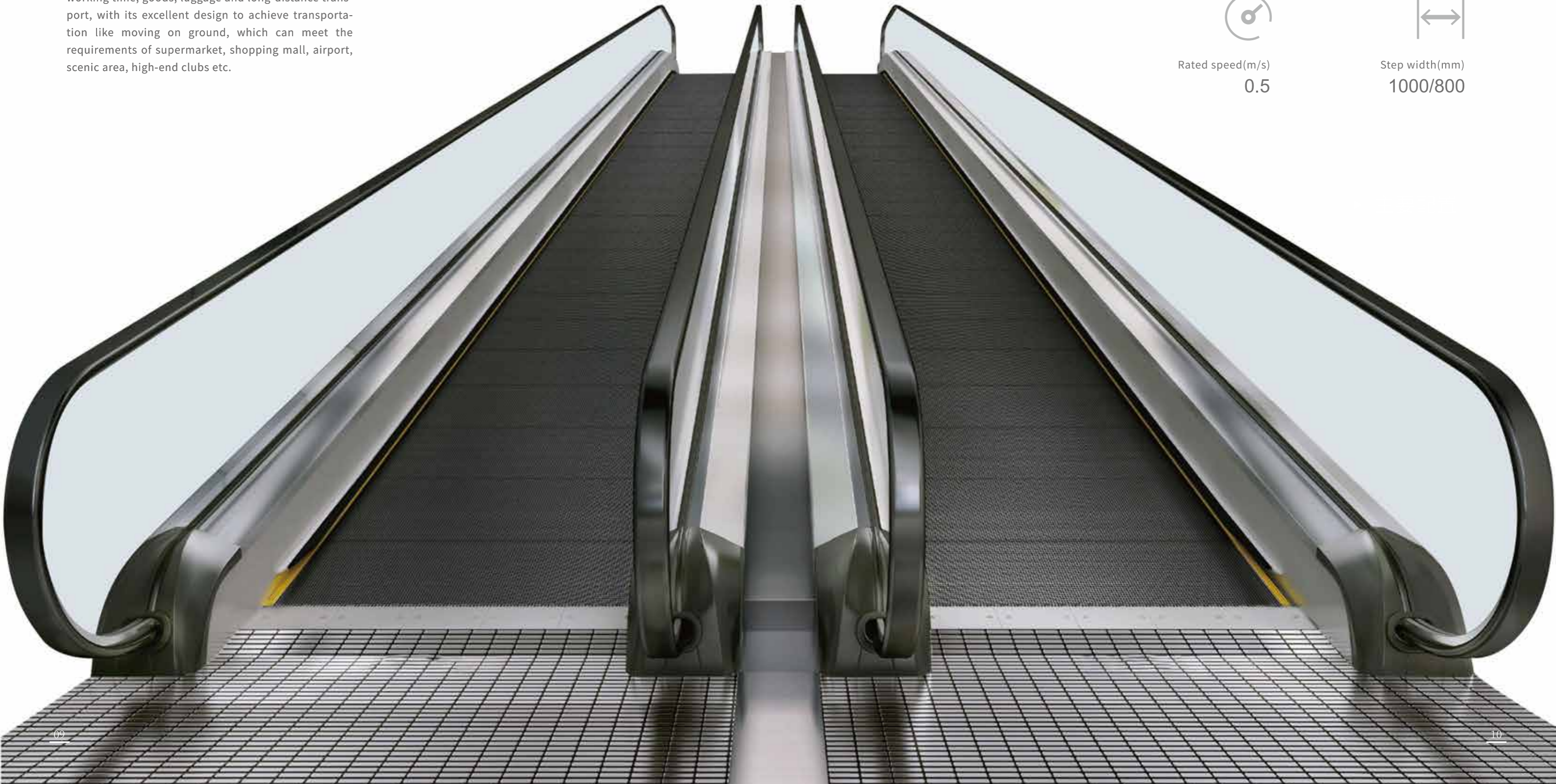
Angle of inclination  
10°/11°/12°



Rated speed(m/s)  
0.5



Step width(mm)  
1000/800



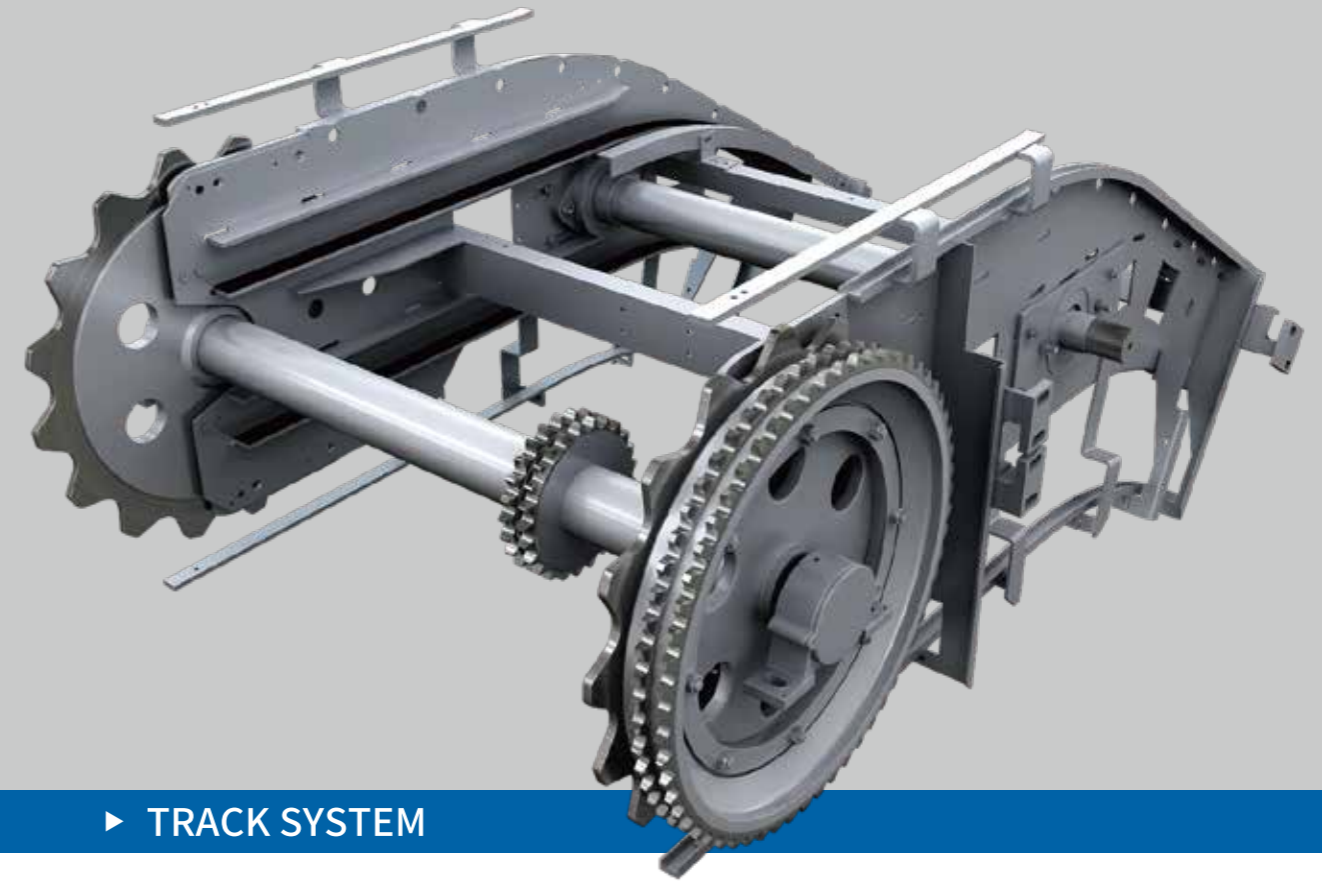
# SAFETY

## ▶ CONTROL SYSTEM

- Adopts the 32-bit microprocessor, the control system is fully functional.
- A multi-range of security features to protect (safety integrity level SIL2).
- Double CPU design.
- Self-study, self-speculation.
- Independent power frequency switching function.

## ▶ MACHINE

- Professional research and development of the machine team is committed to the design concept of advanced quality, to create a stable mature system.
- Compact, high efficiency, strong power, realize the flagship process.
- Advanced manufacturing technology, high service life, brake system with brake open inspection, imported brake lining and motor overheating protection, make safer, stronger reliability, longer service life and reliable operation.
- The built-in flywheel can effectively prevent contact, to make high protection class.



## ▶ TRACK SYSTEM

- Using high strength wear-resistant polyurethane rollers and high strength plate chain, large load capacity, strong corrosion resistance, long service life.
- Side plate track system with fully automatic robot welding, effectively increase the track system quality and precision.
- End use of advanced noise reduction technology, greatly improve the comfort.
- Bilateral direction track system, high precision of installation and convenient positioning.



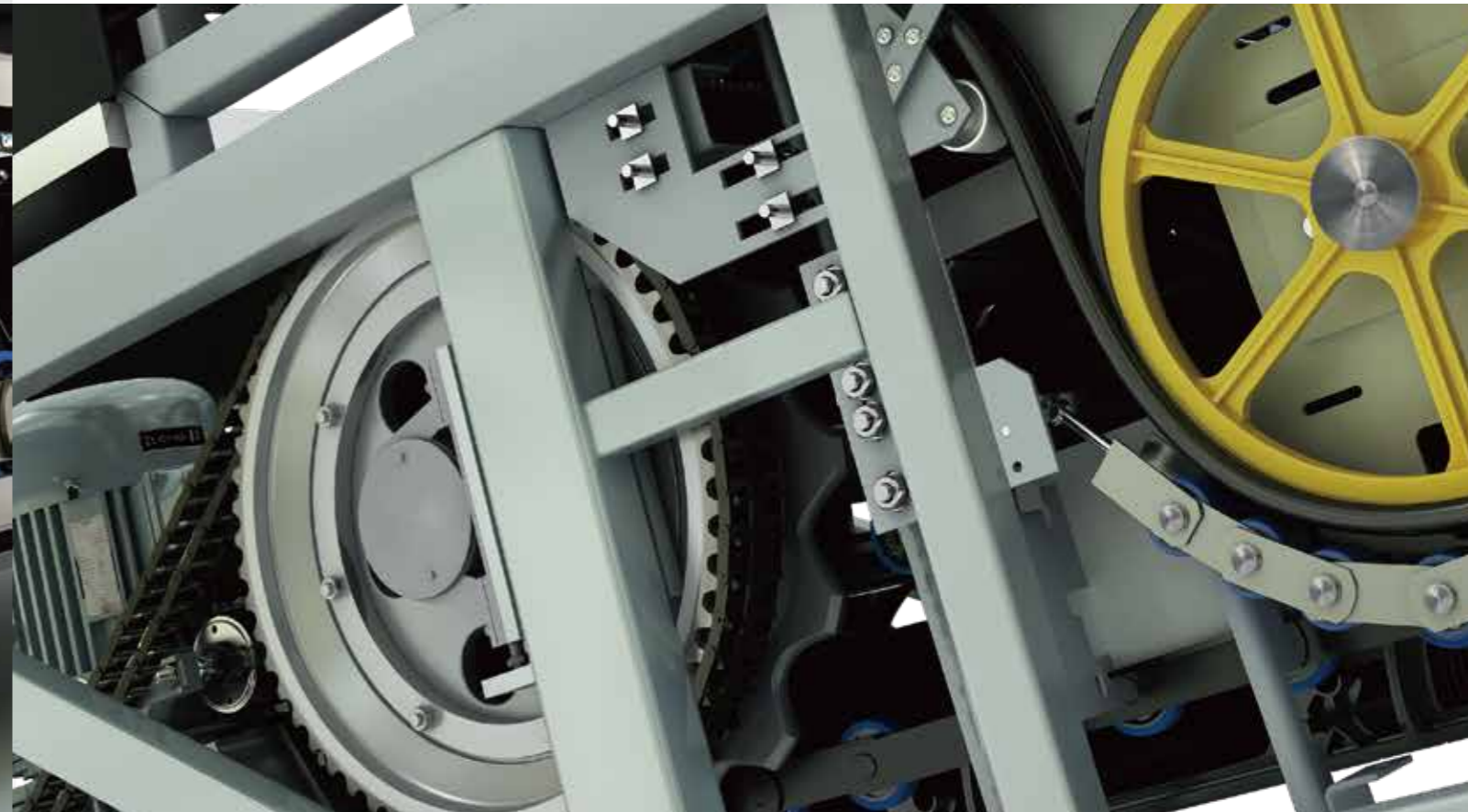
### MAIN DRIVE

Using high strength alloy material, precision manufacturing, Good synchronization, high safety coefficient.



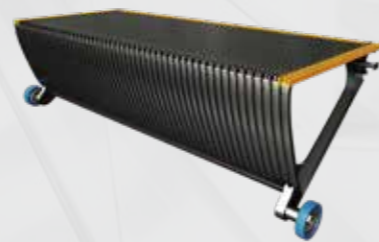
### HANDRAIL DRIVE

Big friction drive, the strong drive power of handrail Ensure handrail belt and step run synchronously



### ▶ STEP

- Anti-skidding treatment, high strength stainless steel step.
- Step past dynamic load test of 20 million times, far more than national standard.



### ▶ CHAIN

- High strength step transmission chain, can greatly meet the requirements of use. The design life is up to 70000 hours.



### ▶ TRUSS

- Stable welding truss structure, truss strength through ANSYS finite element analysis, and the structure is safer and more reliable.
- Indoor truss through anti-corrosion painted coating processing, outdoor truss hot dip galvanized coating.
- Pass EN1090 welding certification, welding reached advanced level.

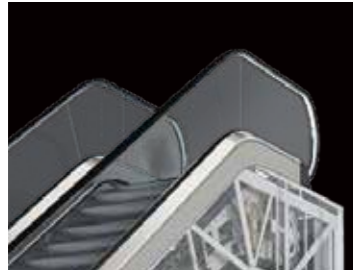
# COMFORT

## AUTOMATIC LUBRICATION DEVICE



- Timely carrying out lubrication for escalator chains to guarantee operation smooth and comfort.
- Ensure that all the chain is in reasonable lubrication condition when escalator is running, prevent rust, broken risk, improve the quality, comfort and service life of the escalator.

## GLASS BALLUSTRADE



- The glass clamping device made of aluminum alloy material is more stable in use.
- Glass balustrade height is 930 mm, higher than the same products in industry, effectively prevent the accident of climbing.



## STEP ROLLER

- High strength of polyurethane skeleton roller, carrying capacity is strong
- Large diameter roller adopts Germany imported polyurethane materials, making comfort experiences and a longer service life



## FLOOR PLATE

- Special anti-skidding treatment.
- Professional test for intension.
- Beautiful pattern design



## HANDRAIL ENTRY

- Using aluminum alloy material.
- Beautiful appearance.
- High strength, high protection grade.



## OUTER DECKING

- Incline decking, Prevent climbing accident.

# OPTIONAL

## ◉ Handral belt



Standard colour: black

## ◉ Handrail lighting-P type



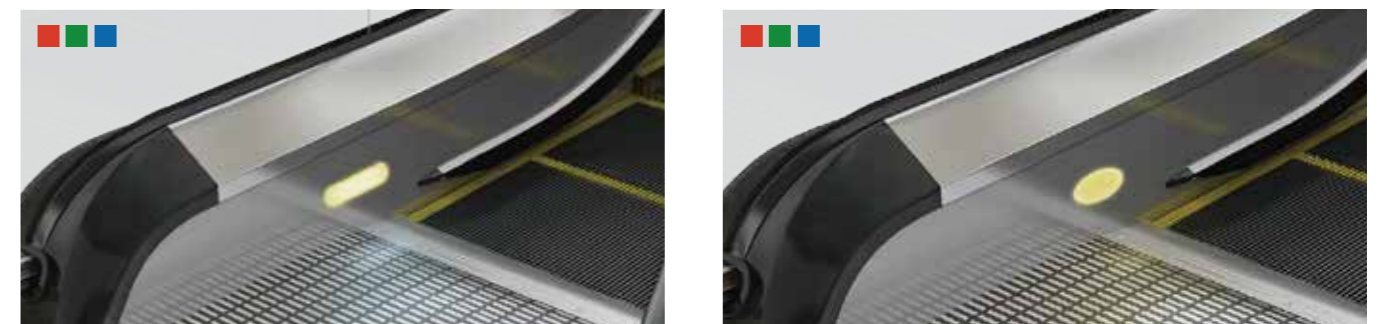
## ◉ Handrail lighting-S type



## ◉ Optional decorations



## ◉ Comb lighting / skirting lighting

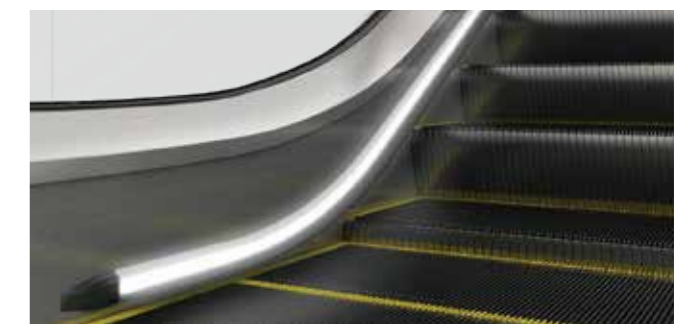


Comb lighting-L type

Comb lighting-O type



Skirting lighting-P type

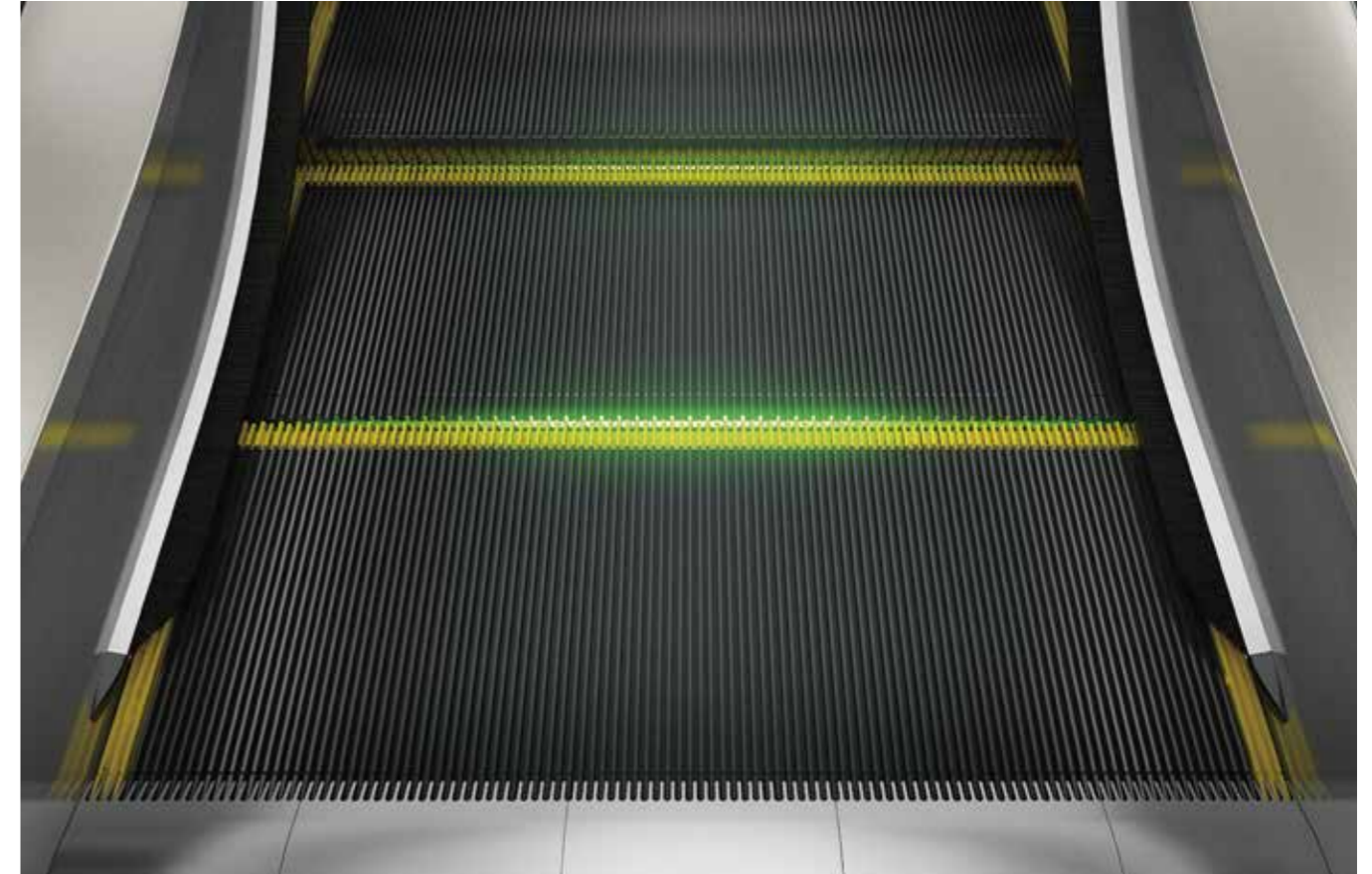


Skirting lighting-S type

◉ Escalator heating system



◉ Step lighting



◉ Traffic flow light



Traffic flow light- I type



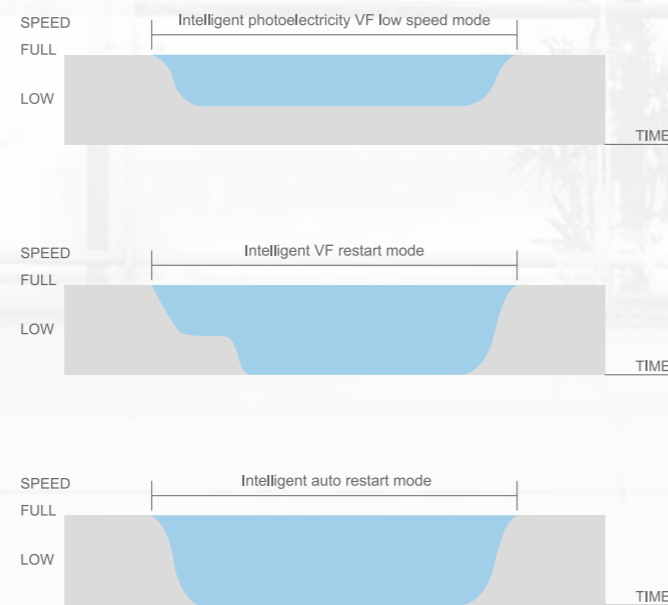
Multi-function pillar

# OPTIONAL FUNCTION

## ▶ Green energy-saving

- Intelligent photoelectricity VF low speed mode
- Intelligent VF restart mode
- Intelligent auto restart mode

Achieve the energy-saving effect, to provide you with suitable choice.



Energy saving	Intelligent photoelectricity VF low speed(Optional)	Intelligent VF restart (Optional)	Intelligent auto restart (Optional)
Free loading energy-saving effect	Larger than 60%	Larger than 70%	Larger than 80%
Mechanical life	Extend	Extend	Extend
Noise	Small	Small	Small

## ○ Sterilization function (Optional)

- Tested by the Micro-Testing Agency, the killing rate of Escherichia coli and Staphylococcus aureus reached 99.99%;
- Real time sterilization, do not affect the operation of the escalator
- Non-contact, odorless, to avoid secondary pollution of disinfection water, meanwhile, avoiding uncontrollable quality of manual disinfection;
- National Health released the "Covid-19 Infection Pneumonia Diagnosis and Treatment Plan (Trial Version 5)" Covid-19 is sensitive to ultraviolet rays and heat, 56°C for 30 minutes, ether, 75% ethanol, chlorine disinfectant, peracetic acid and chloroform, etc. These lipid solvents can effectively inactivate the virus, but chlorhexidine cannot inactivate the virus.



## ○ Maintenance management system (optional)

- Maintenance management system can automatically detect the running situation of escalator and send the message by mobile phone to remind to maintain.



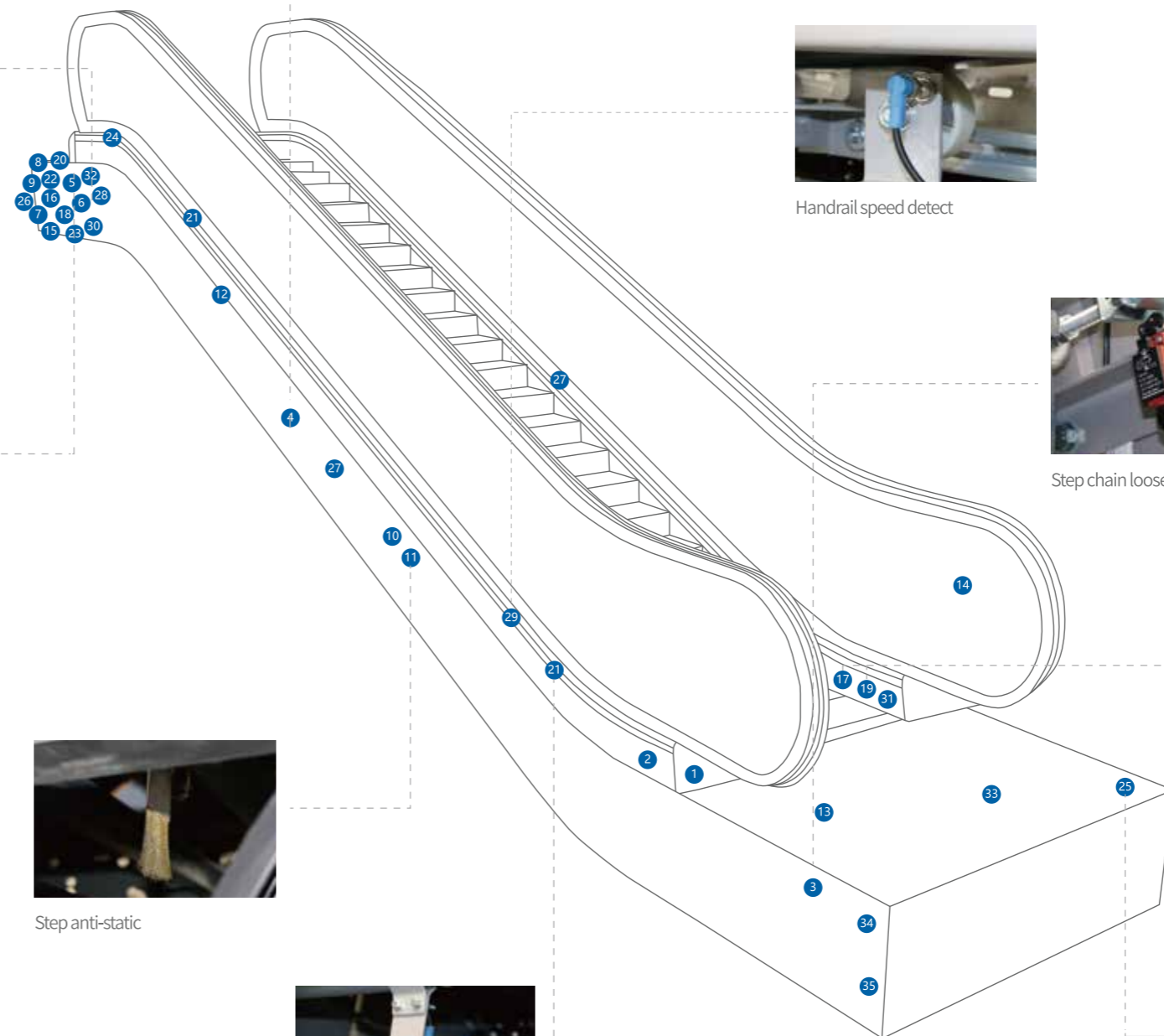
# STANDARD SAFETY CONFIGURATION



Main drive chain broken protection /Main drive chain tension



Anti-reversal / Anti-reversal



Step collapse detect



Handrail speed detect



Step chain loosen and broken protection



Emergency stop button + fault display



Step anti-static



Step missing detect



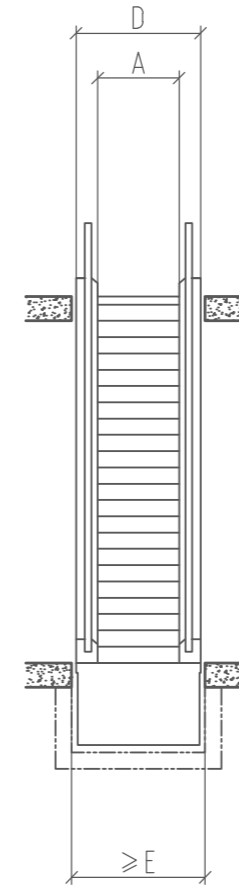
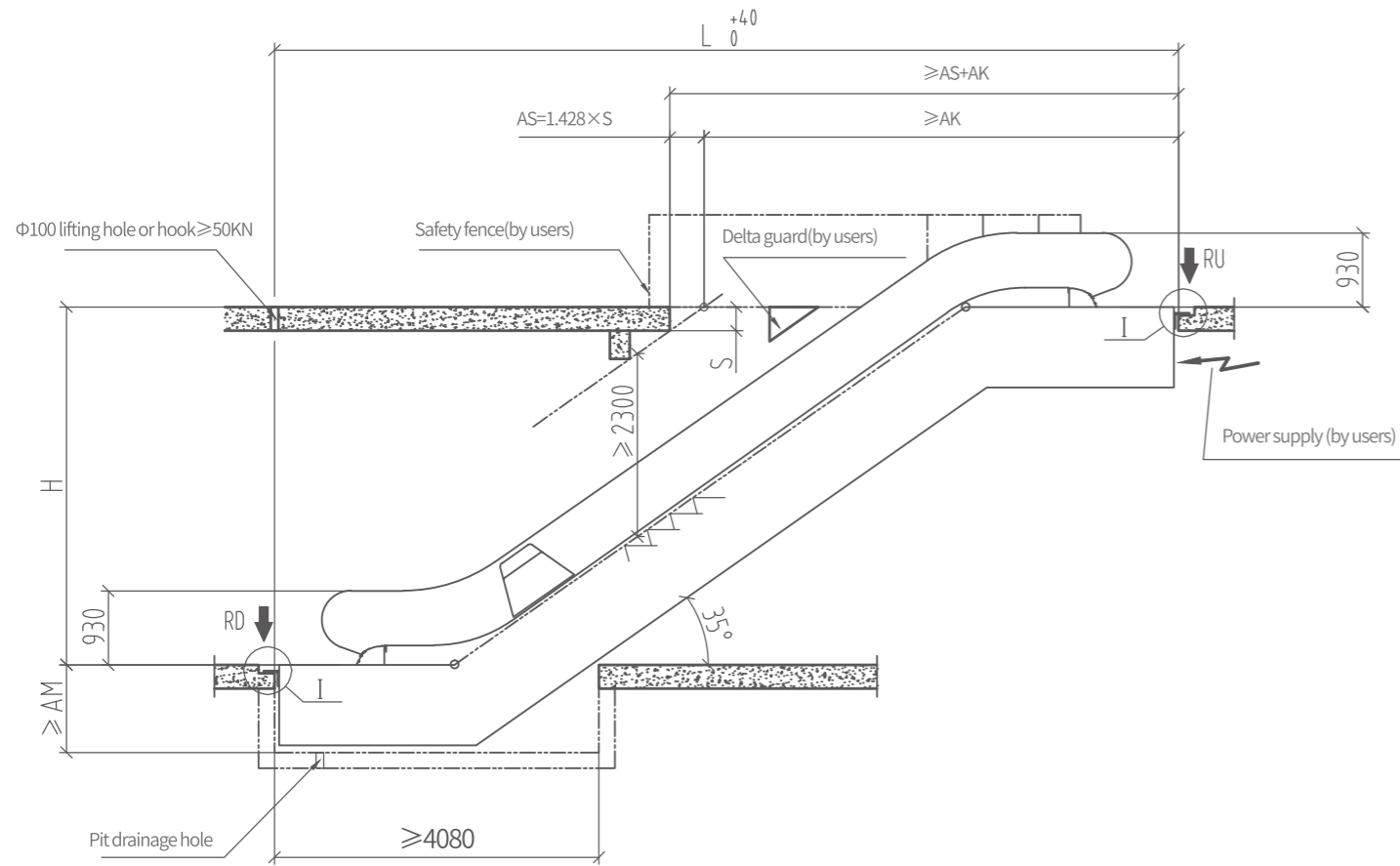
Floor plate open protection

## Standard safety configuration

- |   |   |
|---|---|
| (1) Handrail entry protection                     | (19) Emergency stop button                              |
| (2) Comb protection                               | (20) Main circuit protective Device                     |
| (3) Step chain loosen and broken protection       | (21) Step missing protection                            |
| (4) Step sagging and roller broken protection     | (22) Brake open detect device                           |
| (5) excessive speed                               | (23) Hand winding device                                |
| (6) Unintentional Reversal Safety Device          | (24) Maintenance running                                |
| (7) Motor Overload And Overheat Protective Device | (25) Floor plate open protective device                 |
| (8) GND Protective Device                         | (26) Starting alarm bell                                |
| (9) Phase-failure-reverse Device                  | (27) Skirt deflector                                    |
| (10) Handrail belt anti-static                    | (28) Brake distance detect                              |
| (11) Step anti-static                             | (29) Handrail speed detect device                       |
| (12) Step upthrust protection                     | (30) Main drive chain tension and broken control device |
| (13) Machine Room Protective Device               | (31) Fault display                                      |
| (14) Safety warning labels                        | (32) Up and down maintenance interlocking               |
| (15) Brake release protection                     | (33) Floor plate lifting device                         |
| (16) Fan cover open protection                    | (34) Up and down machine room pedal                     |
| (17) Up & Down key switch                         | (35) Inspection safety tools                            |
| (18) Auto lubrication                             |   |

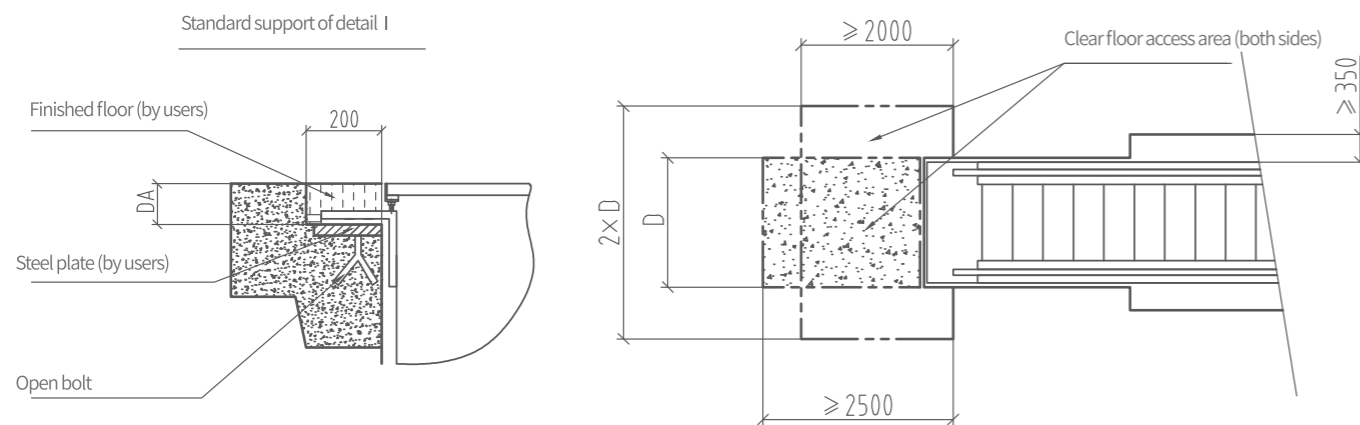
# LAYOUT

## UN-ES008 COMMERCIAL ESCALATOR (35°)



### The work that customer and contractor have to do:

1. This drawing is fit for the products which rise  $H \leq 6m$ , the permitted tolerance is  $-15mm \sim +15mm$ .
2. When the horizontal span  $L > 15.3m$ , need to add an intermediate support, and the position is basically centered
3. Before installation, all holes have to be enveloped with the safety guard which height is not less than 1.2m and guarantee the strength is enough.
4. Pit should be anti-water. The location of splash should be at the basement.
5. According to the requirement of the technology data, the power supply with the safety switch is setting at the machine room. The fluctuation of voltage should not over than  $\pm 7\%$ . The N wire and earth wire should be separated and the ground resistance is not more than  $4 \Omega$ .
6. When the distance between the edge of the escalator and any obstacle is less than 350mm, the user needs to set up a vertical anti-collision baffle without sharp edges above the outer cover, and the height should not be less than 300mm.
7. If the user has any special requirement, they need to be approved by the manufacturer before signing a contract.
8. Constructions should conform with the relevant regulations & codes of the usage of escalators and moving walks.



1000	RU=	5.11L+13
	RD=	5.11L+5
800	RU=	4.41L+15
	RD=	4.41L+9
600	RU=	3.76L+18
	RD=	3.76L+12
STEP WIDTH	$H \leq 6000$ (2 SUPPORTS) $L: m$	
<b>SUPPORT FORCE(KN)</b>		

$2000 \leq H \leq 6000$	2	600	1130	1240	6450	$1.428H+5405$	For Indoor, Outdoor model A	1110	Without Shock absorbing rubber	115
		800	1330	1440	5950	$1.428H+4905$		For Outdoor model B with Oil separator		1360
		1000	1530	1640						
<b>H</b>	<b>Flat Steps</b>	<b>A</b>	<b>D</b>	<b>E</b>	<b>AK</b>	<b>L</b>	<b>AM</b>		<b>DA</b>	

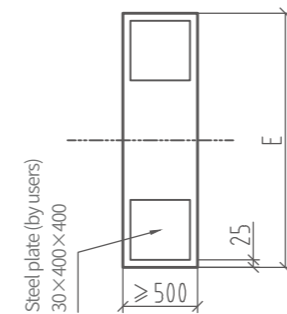
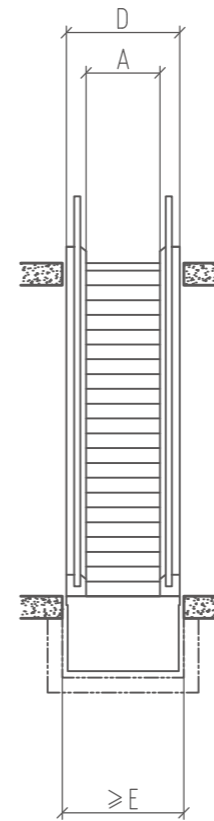
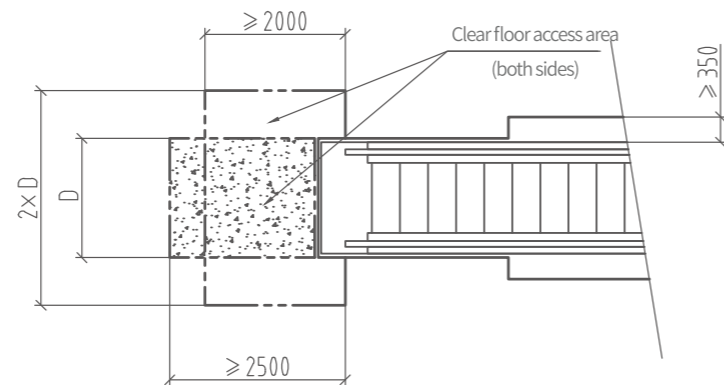
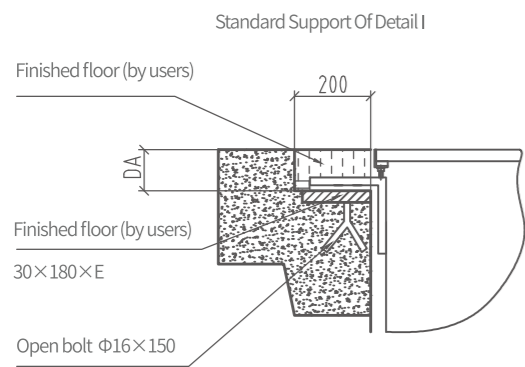
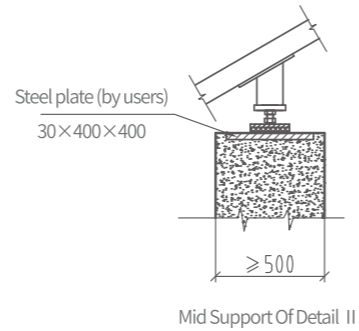
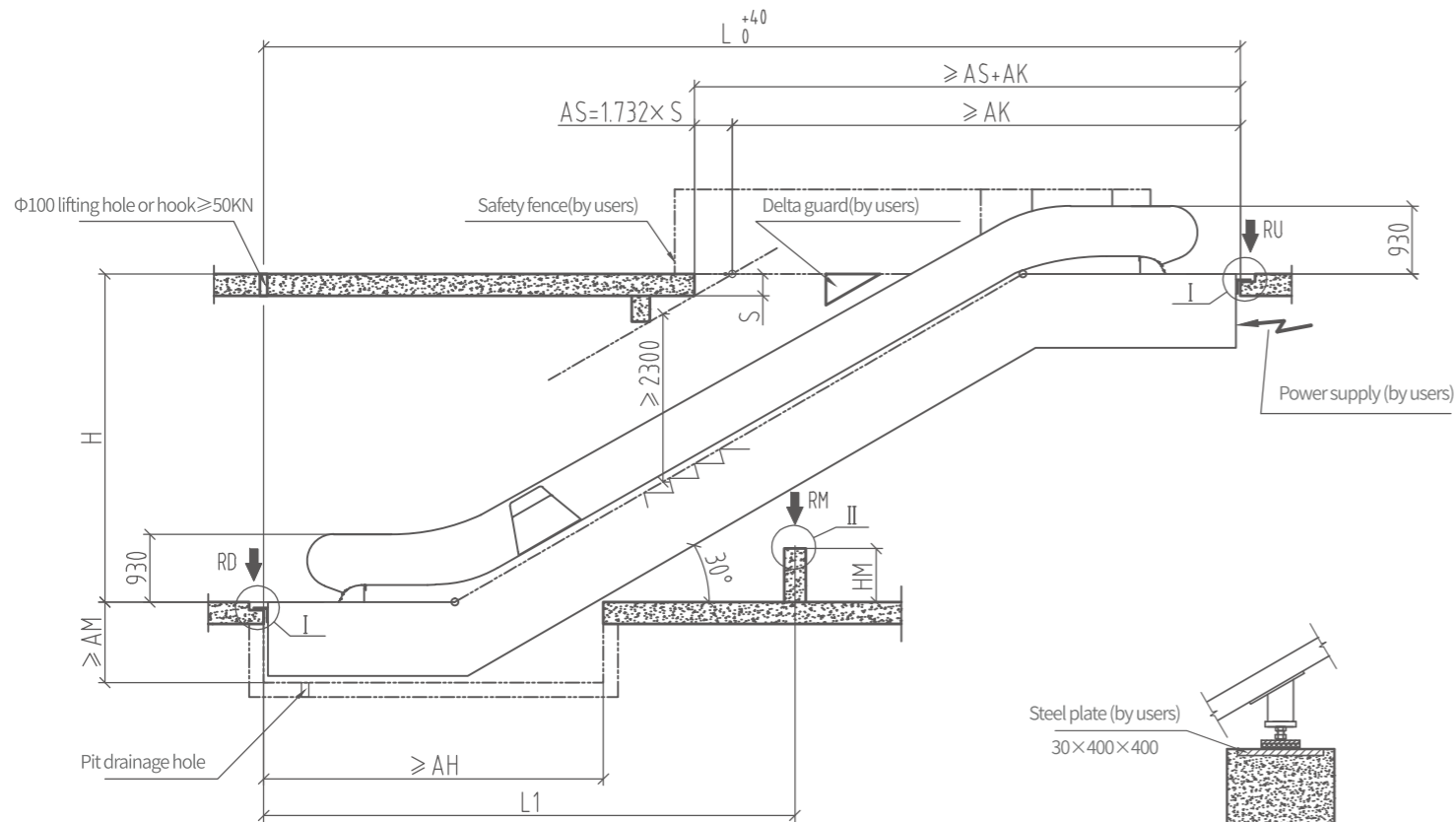
\*When the step width of an escalator is 1000mm, and if the escalator is an outdoor type C package with skirt panel lighting, the upper truss needs to be extended by at least 150mm.

\*When using an outdoor C package environment, or when configuring skirt lighting or handrail lighting, and with a step width of 800mm, the upper truss needs to be extended at least 150mm.

\*When the environment is an outdoor C package configuration with skirt lighting or handrail lighting, and the step width is 1000mm, the upper truss needs to be extended at least 150mm.

# LAYOUT

## UN-ES008 COMMERCIAL ESCALATOR (30°)



Mid Support Of Detail II (top View)

### The work that customer and contractor have to do:

1. This drawing is fit for the products which rise  $2m \leq H \leq 8m$ , the permitted tolerance is  $-15mm \sim +15mm$ .
2. When the horizontal span  $L > 15.3m$ , need to add an intermediate support, and the position is basically centered
3. Before installation, all holes have to be enveloped with the safety guard which height is not less than 1.2m and guarantee the strength is enough.
4. Pit should be anti-water. The location of splash should be at the basement.
5. According to the requirement of the technology data, the power supply with the safety switch is setting at the machine room. The fluctuation of voltage should not over than  $\pm 7\%$ . The N wire and earth wire should be separated and the ground resistance is not more than  $4 \Omega$ .
6. When the distance between the edge of the escalator and any obstacle is less than 350mm, the user needs to set up a vertical anti-collision baffle without sharp edges above the outer cover, and the height should not be less than 300mm.
7. If the user has any special requirement, they need to be approved by the manufacturer before signing a contract.
8. Constructions should conform with the relevant regulations & codes of the usage of escalators and moving walks.

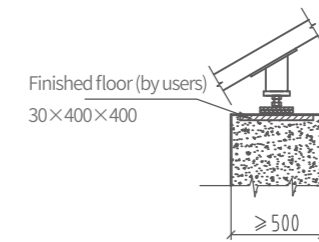
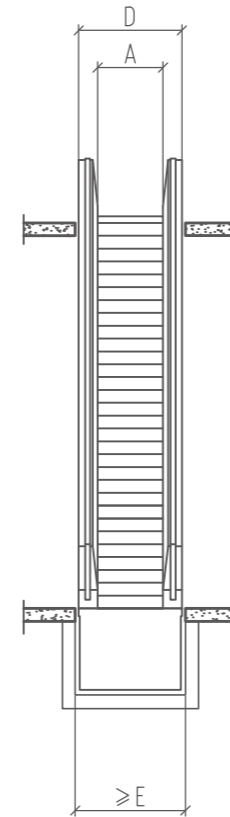
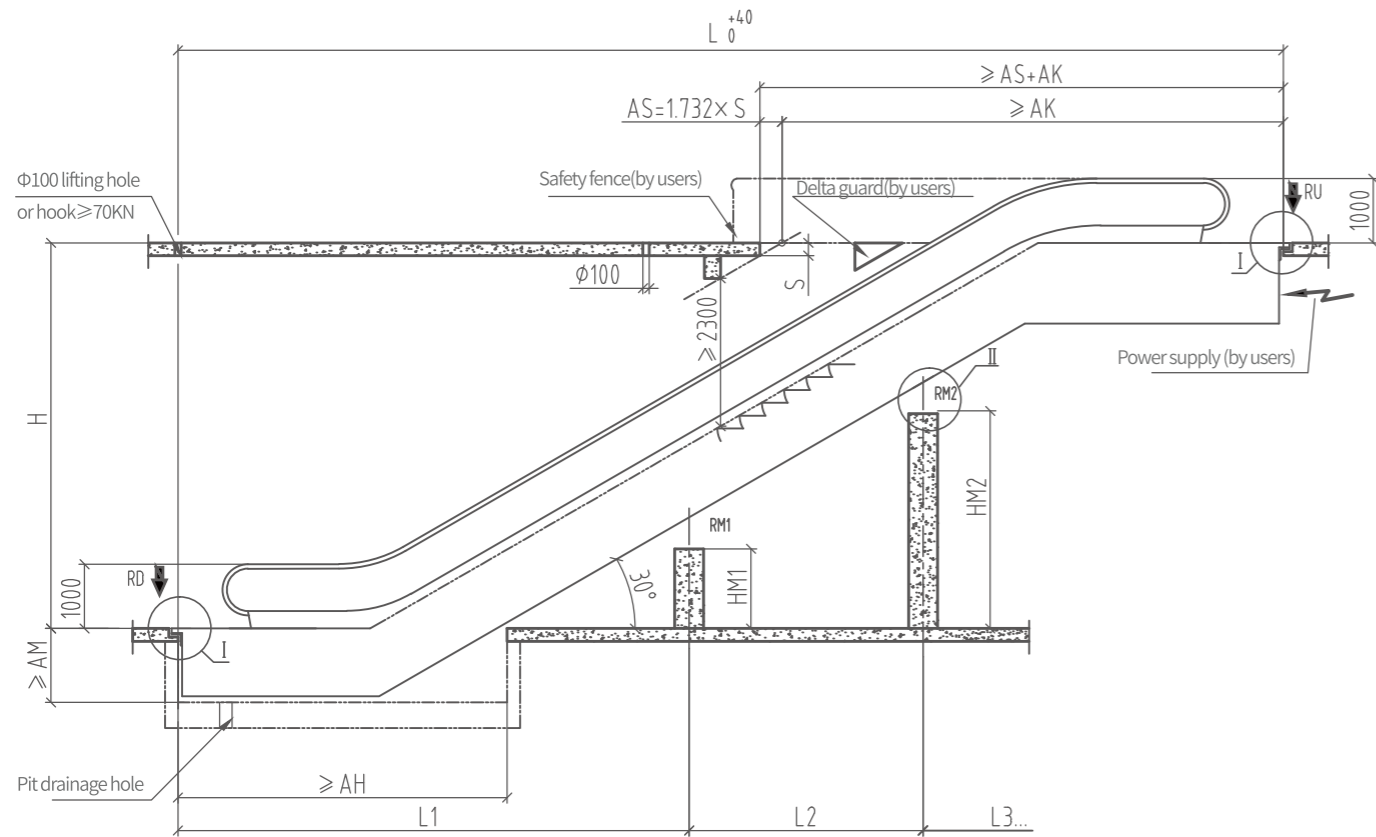
1000	RU=	4.96L+17	RU=	2.3L+13.6
	RD=	4.96L+10	RD=	2.3L+7.1
800	—	—	RM=	7.16L+4.9
	RU=	4.31L+18	RU=	2.02L+13.2
	RD=	4.31L+10	RD=	2.02L+6.8
600	—	—	RM=	6.33L+4.8
	RU=	3.66L+27	—	
RD=	3.66L+22	—		
STEP WIDTH	2 SUPPORTS L:m		3 SUPPORTS L:m	
<b>SUPPORT FORCE(KN)</b>				

6000 ≤ H ≤ 8000	3	800	1330	1440	4670	6950	1.732H+5565	For Indoor, Outdoor model A	1110	Without Shock absorbing rubber	115
		1000	1530	1640							
2000 ≤ H ≤ 6000	2	600	1130	1240	4270	7050	1.732H+5265	For Outdoor model B with Oil separator	1360	With Shock absorbing rubber	135
		800	1330	1440							
		1000	1530	1640							
<b>H</b>		<b>A</b>	<b>D</b>	<b>E</b>	<b>AH</b>	<b>AK</b>	<b>L</b>	<b>AM</b>		<b>DA</b>	

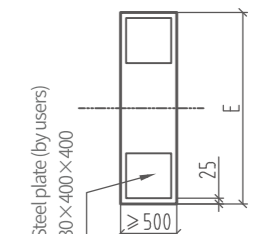
- \*When the step width of an escalator is 1000mm, and if the escalator is an outdoor type C package with skirt panel lighting, the upper truss needs to be extended by at least 150mm.
- \*When using an outdoor C package environment, or when configuring skirt lighting or handrail lighting, and with a step width of 800mm, the upper truss needs to be extended at least 150mm.
- \*When the environment is an outdoor C package configuration with skirt lighting or handrail lighting, and the step width is 1000mm, the upper truss needs to be extended at least 150mm.

# LAYOUT

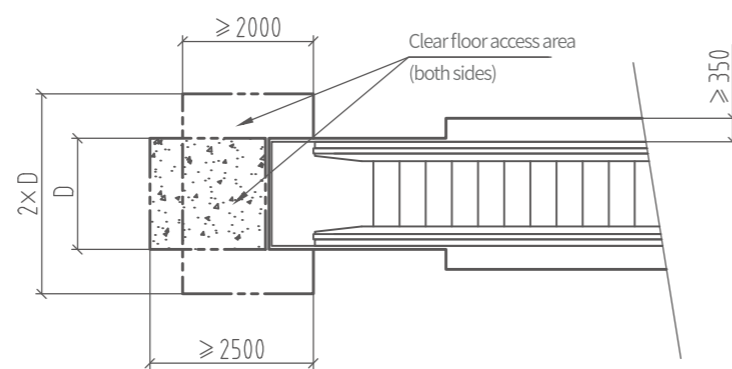
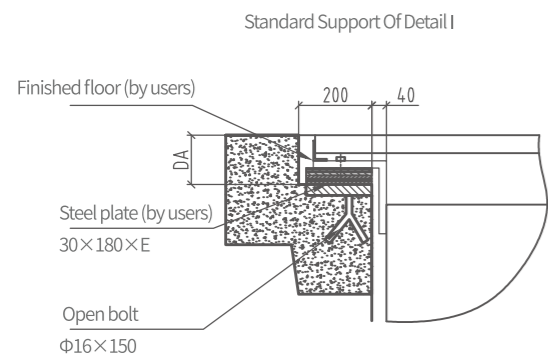
## XEP PUBLIC ESCALATOR (30°)



Mid Support Of Detail II



Mid Support Of Detail II (top View)



### The work that customer and contractor have to do:

1. This drawing is fit for the products which rise  $H \leq 15m$ , the permitted tolerance is  $-15mm \sim +15mm$ .
2. Before installation, all holes have to be enveloped with the safety guard which height is not less than 1.2m and guarantee the strength is enough.
3. Pit should be anti-water. The location of plash should be at the basement.
4. According to the requirement of the technology data, the power supply with the safety switch is setting at the machine room. The fluctuation of voltage should not over than  $\pm 7\%$ . The N wire and earth wire should be separated and the ground resistance is not more than  $4 \Omega$ .
5. When the distance between the edge of the escalator and any obstacle is less than 350mm, the user needs to set up a vertical anti-collision baffle without sharp edges above the outer cover, and the height should not be less than 300mm.
6. If the user has any special requirement, they need to be approved by the manufacturer before signing a contract.
7. Constructions should conform with the relevant regulations & codes of the usage of escalators and moving walks.

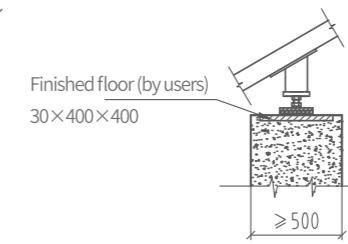
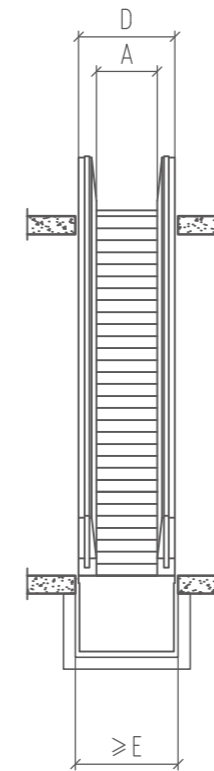
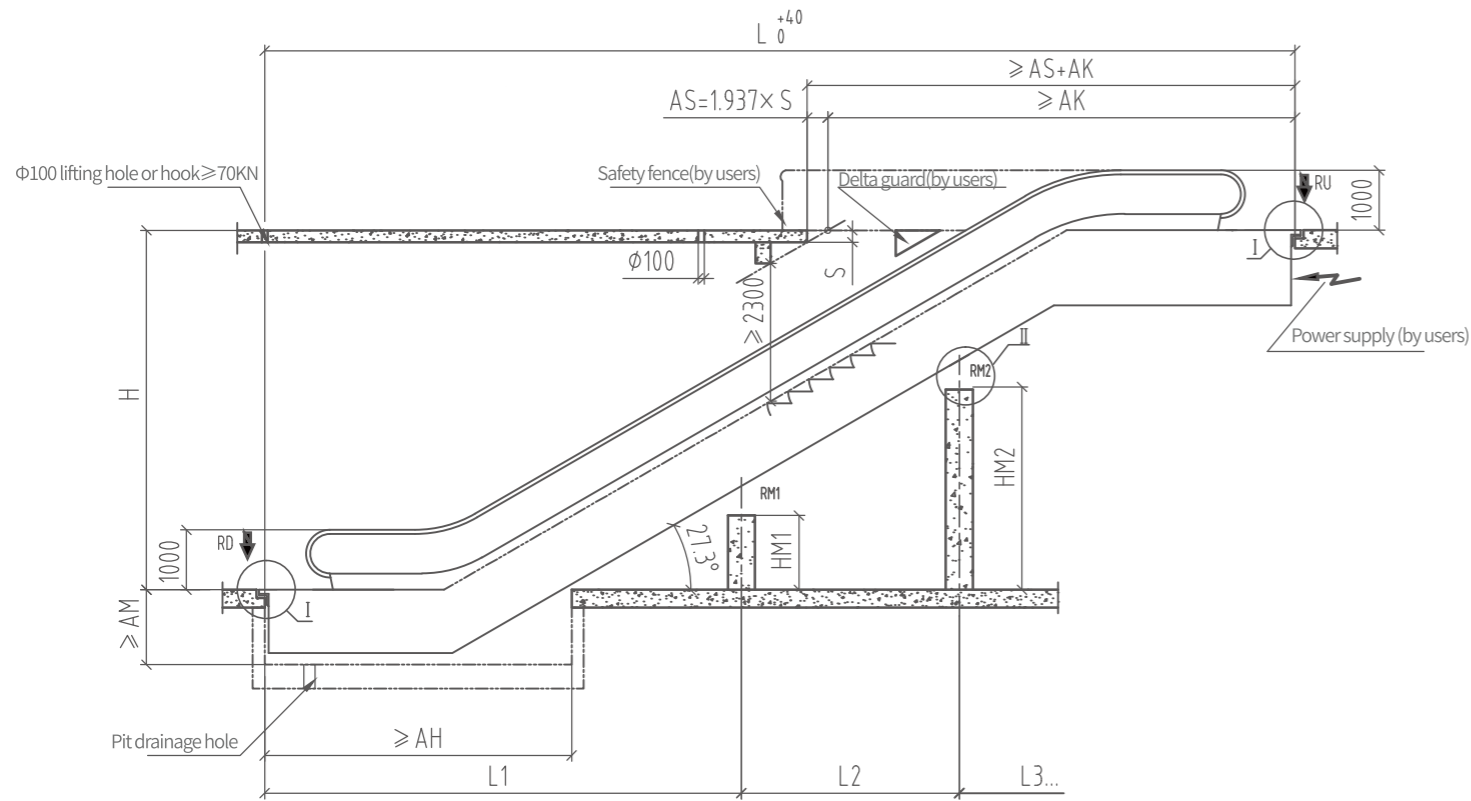
5.2*L+7	5.2*L+22	2.6*L+1.5	2.6*L+21.5	5.7*L+10	1.7*L+1.5	1.7*L+21.5	3.8*L+10	3.8*L+15	800
5.5*L+7	5.5*L+22	2.8*L+1.5	2.8*L+21.5	6.2*L+10	1.9*L+1.5	1.9*L+21.5	4*L+10	4*L+15	1000
RD	RU	RD	RU	RM1	RD	RU	RM1	RM2	STEP WIDTH(mm)
NO MID.SUPPORT		ONE INTERMEDIATE SUPPORT			TWO INTERMEDIATE SUPPORTS				
<b>SUPPORT FORCE(KN) L: (m)</b>									

800	1380	1450	For Indoor, Outdoor model A	1240	Without Shock absorbing rubber	125	5	5750	8266	1.732H+7742
1000	1580	1650	For Outdoor model B with Oil separator	1400	With Shock absorbing rubber	145	4	5350	7866	1.732H+6942
							3	4950	7466	1.732H+6142
<b>A</b>	<b>D</b>	<b>E</b>	<b>AM</b>	<b>DA</b>	<b>Flat Steps</b>	<b>AH</b>	<b>AK</b>	<b>L</b>		

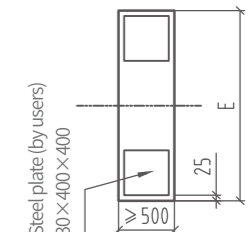
\* The construction span is allowed to change, please consult with our company for the specific size  
 \* However, when using dual hosts, the upper truss needs to be at least 450mm longer.

# LAYOUT

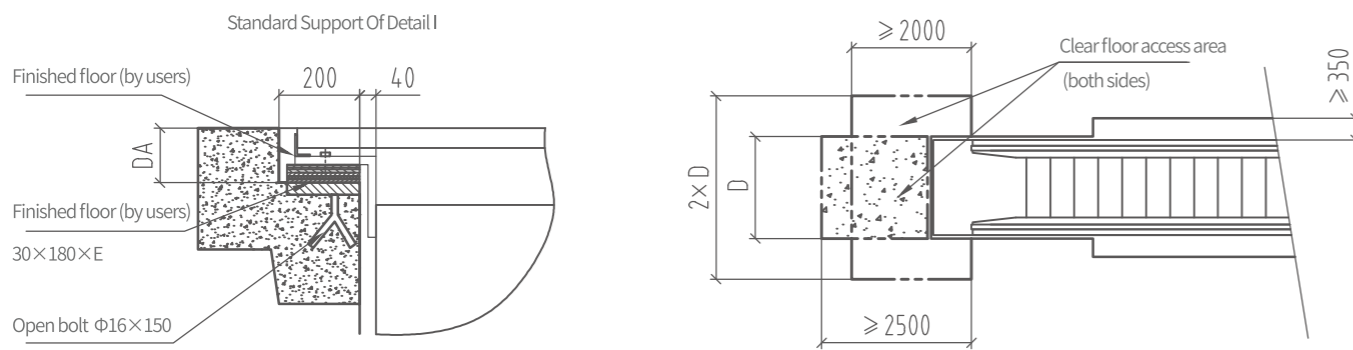
## XEP PUBLIC ESCALATOR (27.3°)



Mid Support Of Detail II



Mid Support Of Detail II (top View)



### The work that customer and contractor have to do:

1. This drawing is fit for the products which rise  $H \leq 15m$ , the permitted tolerance is  $-15mm \sim +15mm$ .
2. Before installation, all holes have to be enveloped with the safety guard which height is not less than 1.2m and guarantee the strength is enough.
3. Pit should be anti-water. The location of plash should be at the basement.
4. According to the requirement of the technology data, the power supply with the safety switch is setting at the machine room. The fluctuation of voltage should not over than  $\pm 7\%$ . The N wire and earth wire should be separated and the ground resistance is not more than  $4 \Omega$ .
5. When the distance between the edge of the escalator and any obstacle is less than 350mm, the user needs to set up a vertical anti-collision baffle without sharp edges above the outer cover, and the height should not be less than 300mm.
6. If the user has any special requirement, they need to be approved by the manufacturer before signing a contract.
7. Constructions should conform with the relevant regulations & codes of the usage of escalators and moving walks.

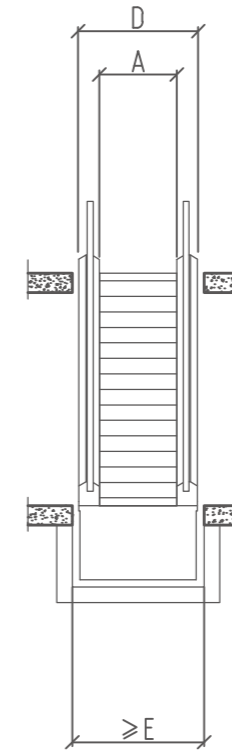
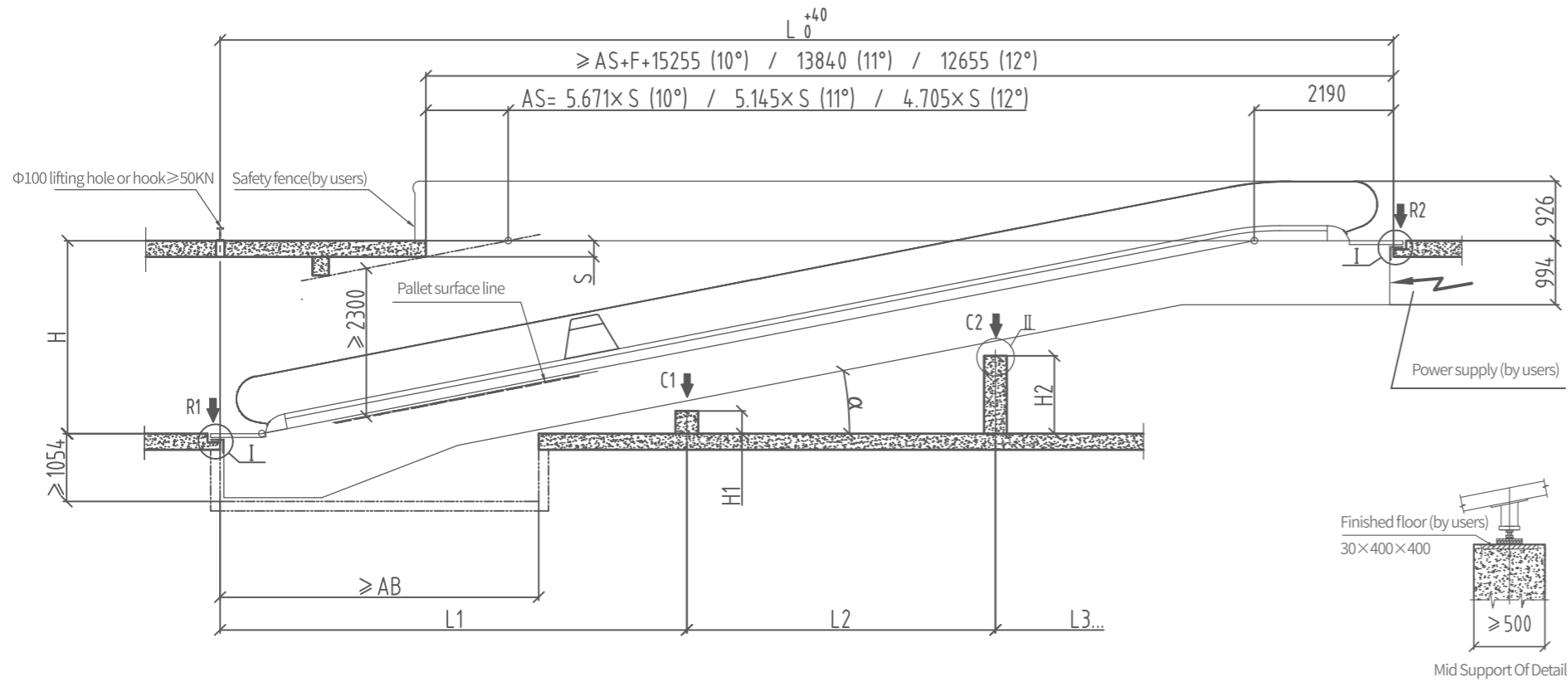
5.2*L+7	5.2*L+22	2.6*L+1.5	2.6*L+21.5	5.7*L+10	1.7*L+1.5	1.7*L+21.5	3.8*L+10	3.8*L+15	800
5.5*L+7	5.5*L+22	2.8*L+1.5	2.8*L+21.5	6.2*L+10	1.9*L+1.5	1.9*L+21.5	4*L+10	4*L+15	1000
RD	RU	RD	RU	RM1	RD	RU	RM1	RM2	STEP WIDTH(mm)
NO MID.SUPPORT		ONE INTERMEDIATE SUPPORT			TWO INTERMEDIATE SUPPORTS				
<b>SUPPORT FORCE(KN) L: (m)</b>									

800	1380	1450	For Indoor, Outdoor model A	1240	Without Shock absorbing rubber	125	5	5900	8716	1.937H+7674
1000	1580	1650	For Outdoor model B with Oil separator	1400	With Shock absorbing rubber	145	4	5500	8316	1.937H+6874
							3	5100	7916	1.937H+6074
<b>A</b>	<b>D</b>	<b>E</b>	<b>AM</b>	<b>DA</b>	<b>Flat Steps</b>	<b>AH</b>	<b>AK</b>	<b>L</b>		

\* The construction span is allowed to change, please consult with our company for the specific size  
 \* However, when using dual hosts, the upper truss needs to be at least 450mm longer.

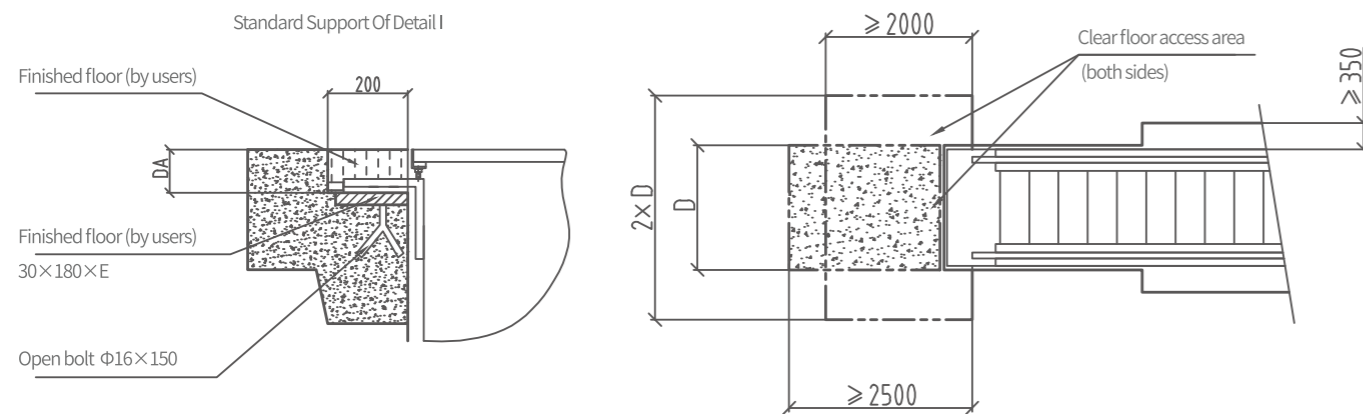
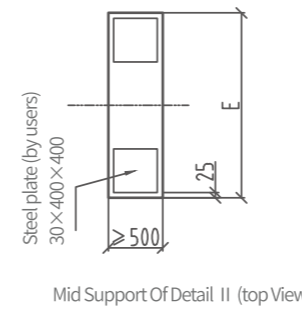
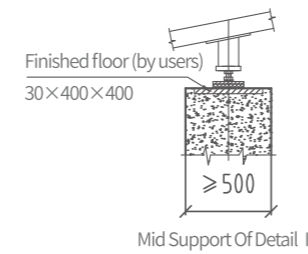
# LAYOUT

## UN-ET008 TRAVELATOR (10~12°)



### The work that customer and contractor have to do:

1. This drawing is fit for the products which rise  $1.5m \leq H \leq 6m$ , the permitted tolerance is  $-15mm \sim +15mm$ .
2. when the horizontal span  $L > 26m$ , need to add two intermediate supports, and the positions are evenly divided.
3. Before installed, all holes have to be enveloped with the safety guard which height is not less than 1.2m and guarantee the strength is enough.
4. Pit should be anti-water. The location of splash should be at the basement.
5. According to the requirement of the technology data, the power supply with the safety switch is setting at the machine room. The fluctuation of voltage should not over than  $\pm 7\%$ . The N wire and earth wire should be separated and the ground resistance is not more than  $4 \Omega$ .
6. When the distance between the edge of the escalator and any obstacle is less than 350mm, the user needs to set up a vertical anti-collision baffle without sharp edges above the outer cover, and the height should not be less than 300mm.
7. If the user has any special requirement, they need to be approved by the manufacturer before signing a contract.
8. Constructions should conform with the relevant regulations & codes of the usage of escalators and moving walks.



3.1L+10	3.1L+9.2	1.3L+17	1.3L+9	3.45L+5.2	3.45L+5	1.5L+15	1.5L+6	4
—	5.2L+8.2	1.9L+17	1.9L+8	—	6.1L+4.2	2.2L+14	2.2L+5	3
—	—	4.25L+18	4.25L+8.2	—	—	4.9L+14	4.9L+6.2	2
C2	C1	R2	R1	C2	C1	R2	R1	Support Number
800				1000				Pedal Width
<b>SUPPORT FORCE(KN) L: (m)</b>								

(4.7046H+2700) <sup>+40</sup> / <sub>0</sub>	4634	1430	1330	800	12°	Without Shock absorbing rubber	125
		1630	1530	1000			
(5.1446H+2943) <sup>+40</sup> / <sub>0</sub>	5050	1430	1330	800	11°	With Shock absorbing rubber	145
		1630	1530	1000			
(5.6713H+3233) <sup>+40</sup> / <sub>0</sub>	5550	1430	1330	800	10°		
		1630	1530	1000			
<b>L</b>	<b>AB</b>	<b>E</b>	<b>D</b>	<b>A</b>	<b>Angle of inclination</b>	<b>DA</b>	

\*The construction span is allowed to change, please consult with our company for the specific size